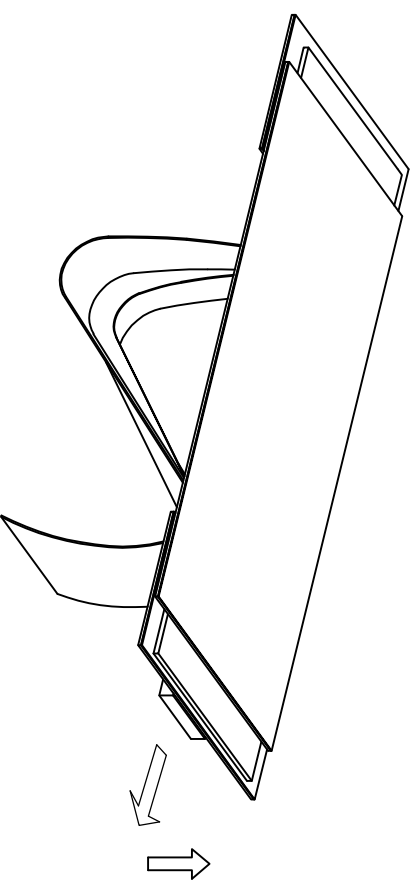


keep the original package of the table top and do not open it until the legs are installed

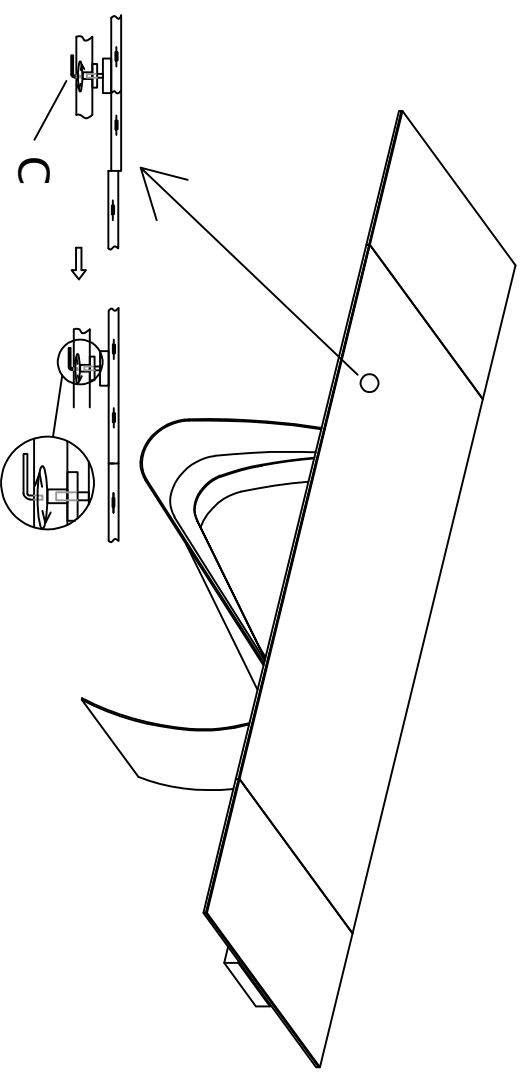
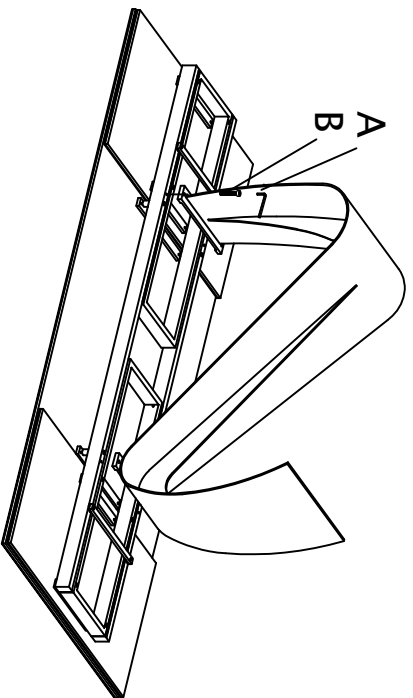
1. when moving the table, please must keep the extensions closed , and lift the frame but not glass.
2. when opening the extensions:
 - pull the extensions with two hands but not one hand ;
 - don't shake the extensions with your hands.

PLEASE DONOT TIGHT ONE SCREW COMPLETELY, AFTER FASTEN ALL SCREWS THEN TIGHT THEM ALL.




Step 2



Finish



DT9087C1

NO.	A	B	D
TYPE	 5#	 M8x25	 8#
QTY	1 PC	4 PCS	1 PC