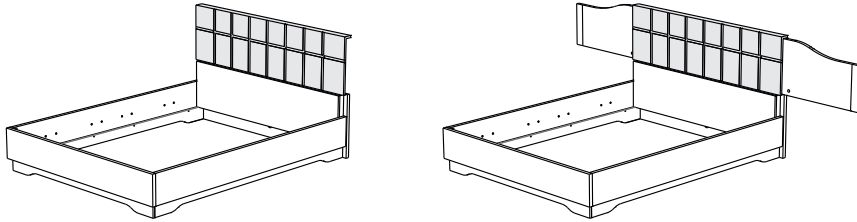


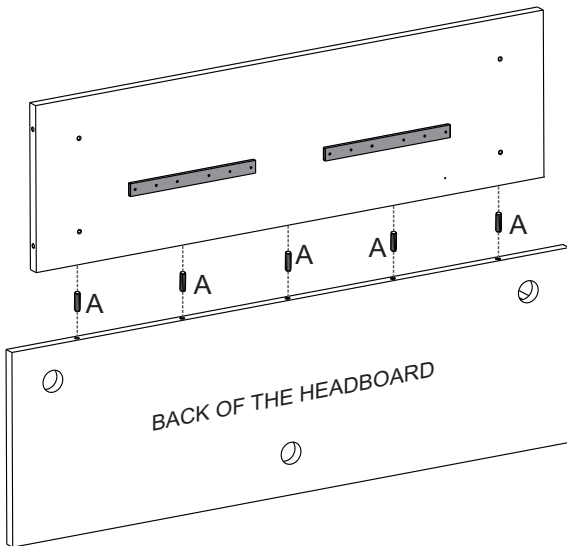
MATRIX

BED QS / 160 / 180 / KS

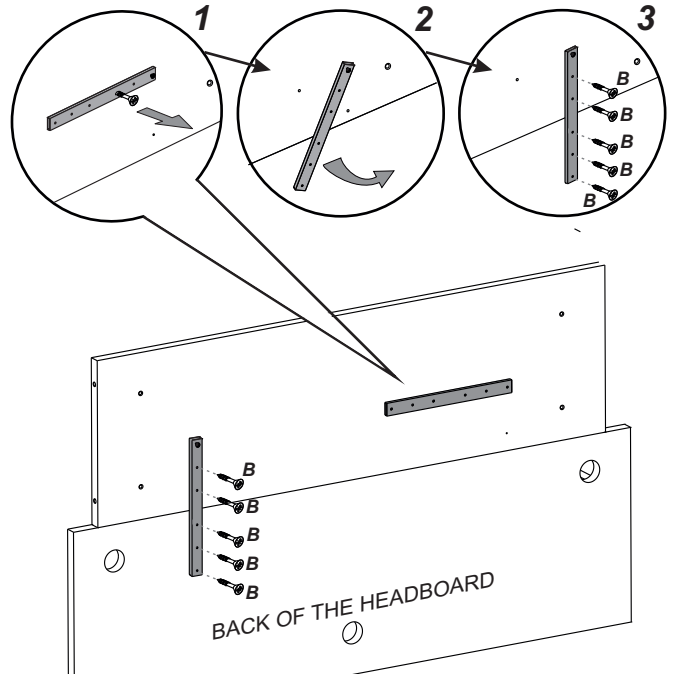
A	B	C	D
E	F	G	



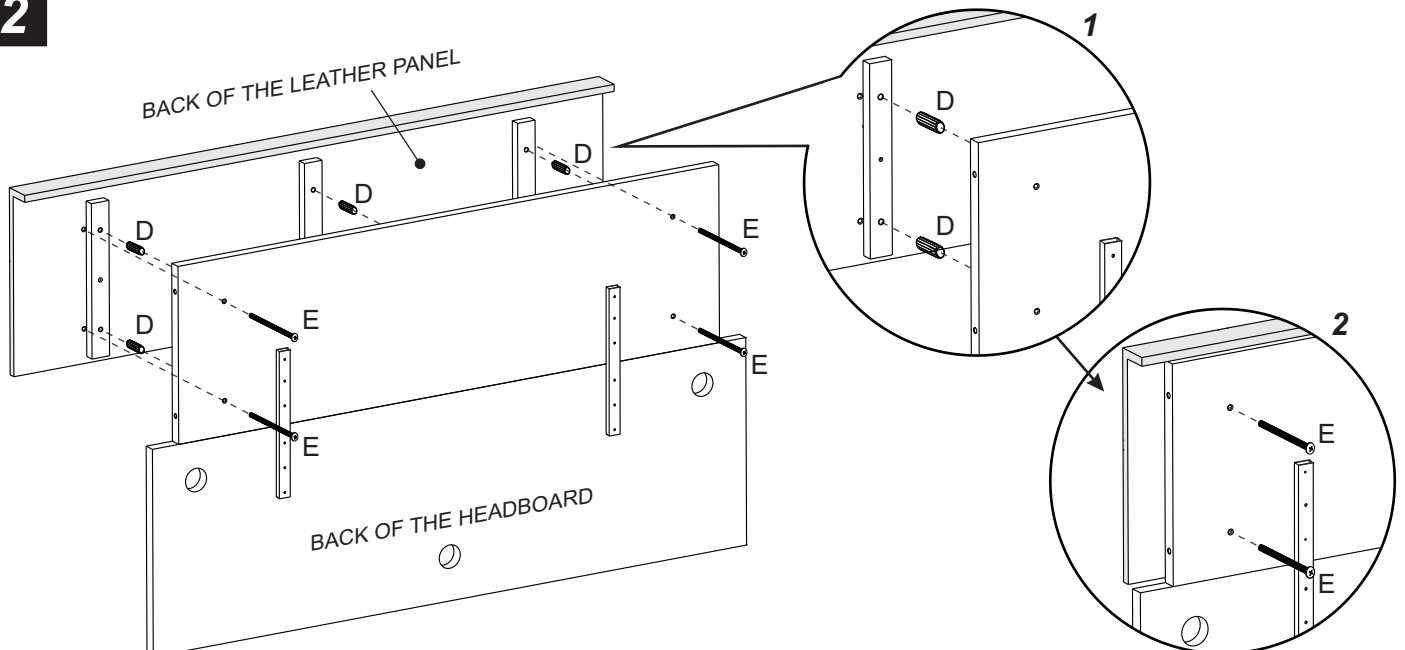
1a






1b



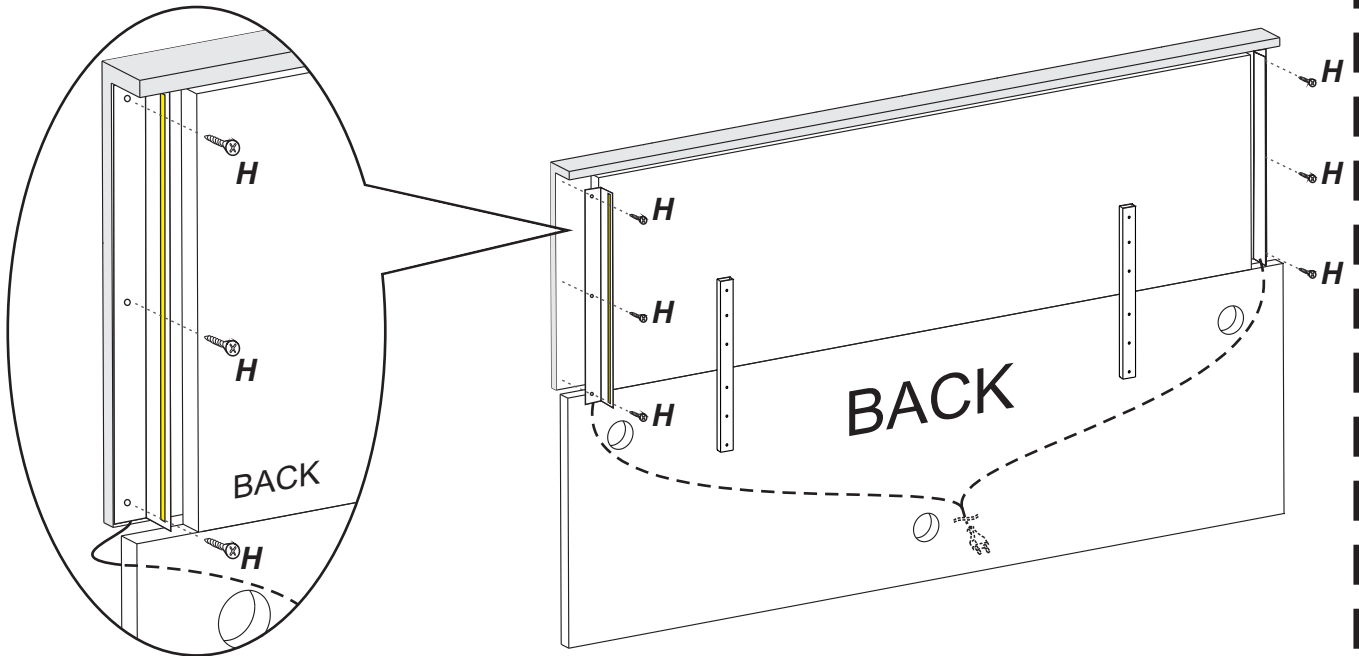
2



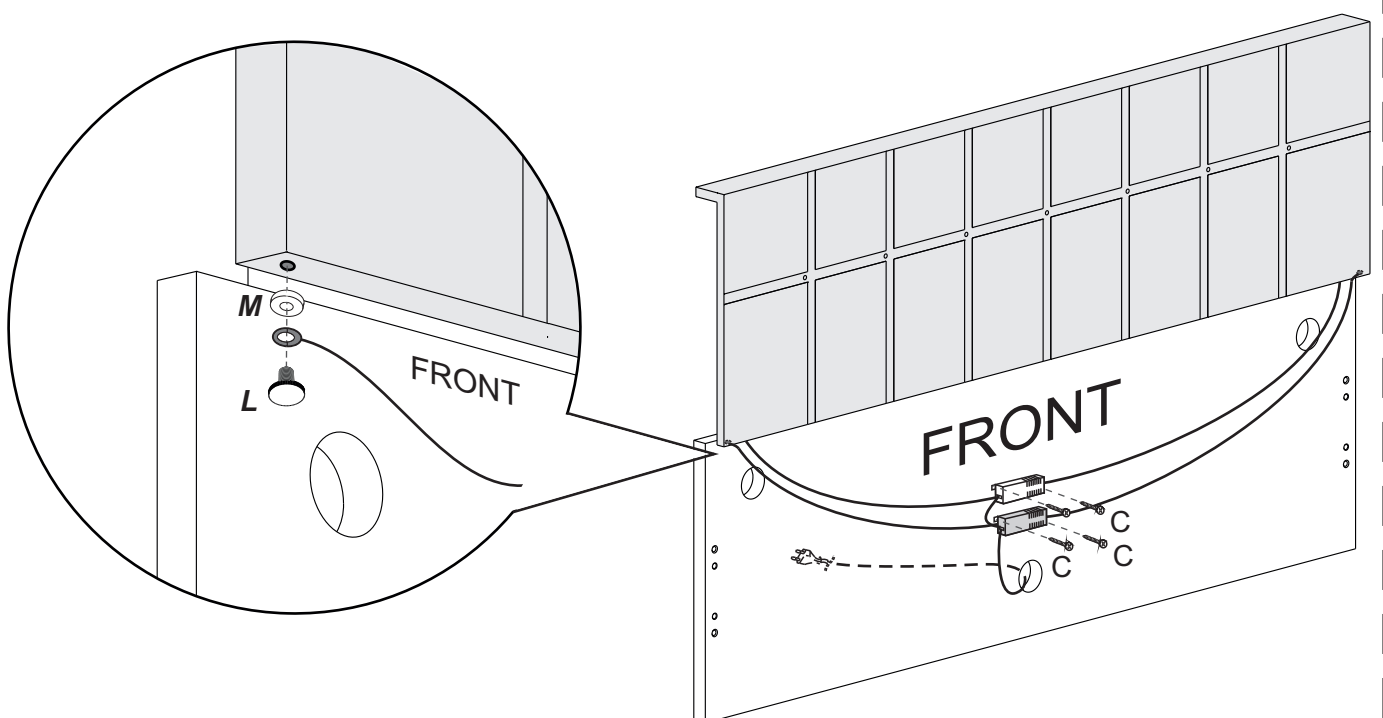
LED LIGHT KIT OPTIONAL FOR BED WITHOUT BOISERIE CO 000KIT.LUCE09

H	L	M
		
Ø4x20	VITE NIKELATA M4	

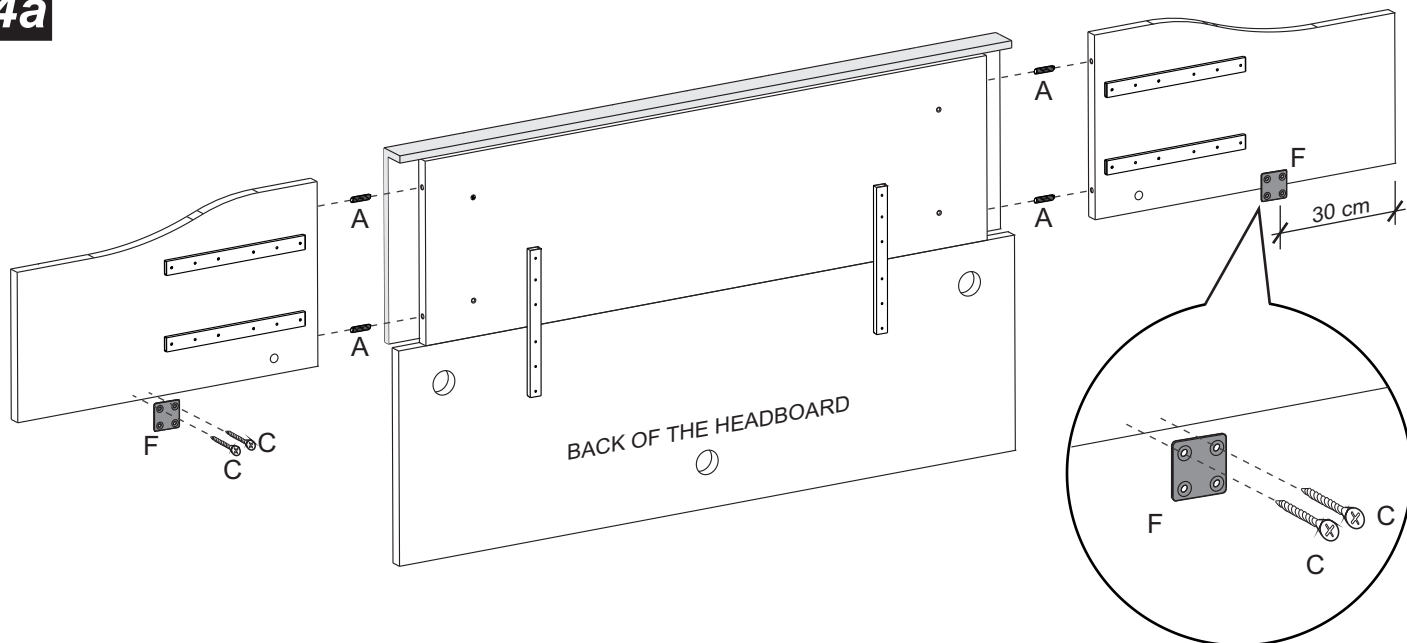
3a



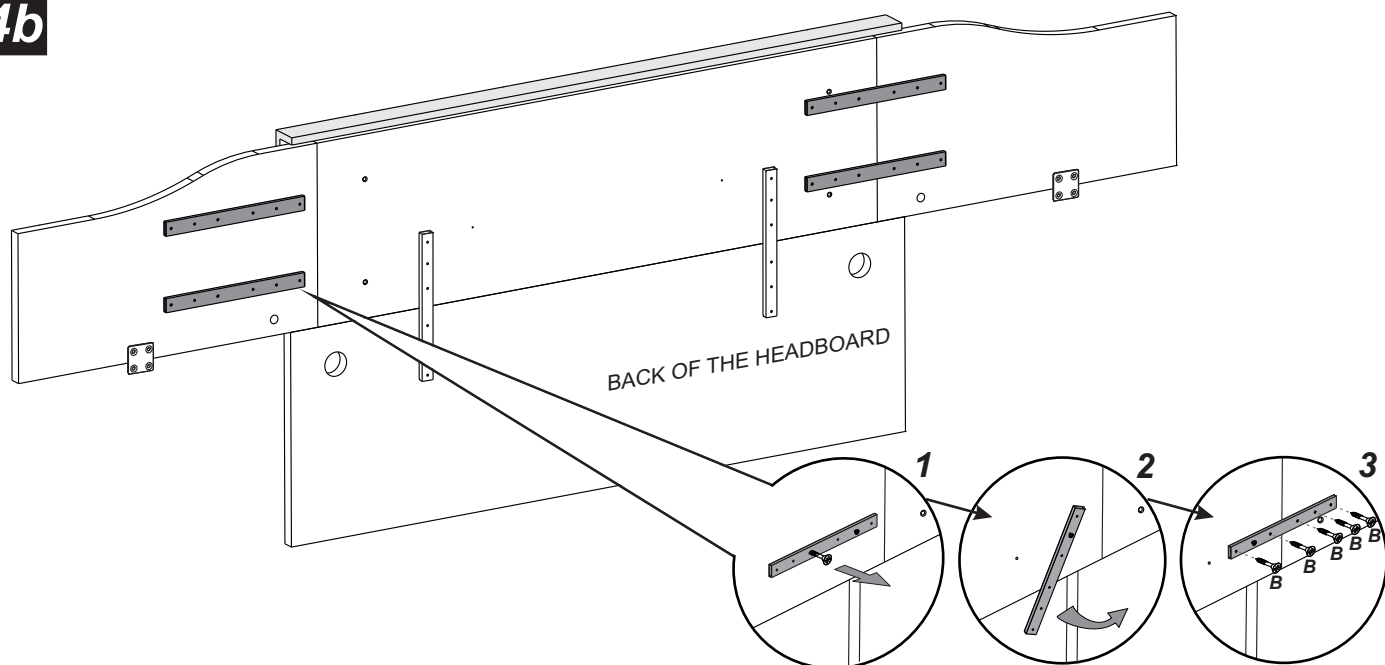
3b



4a

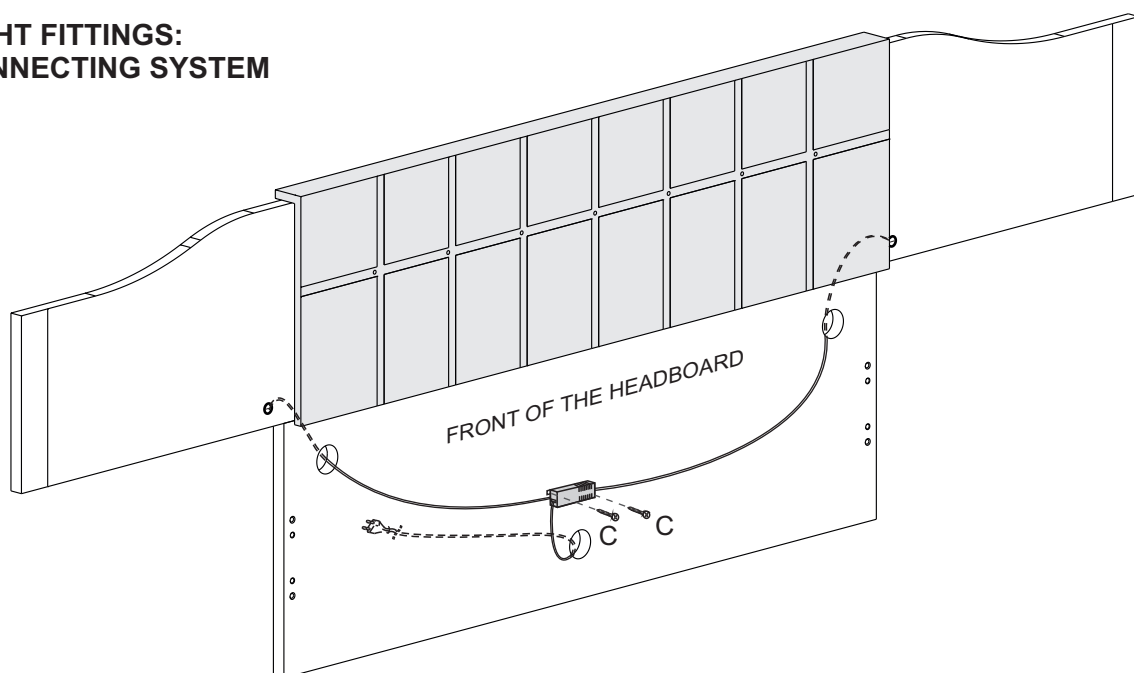


4b

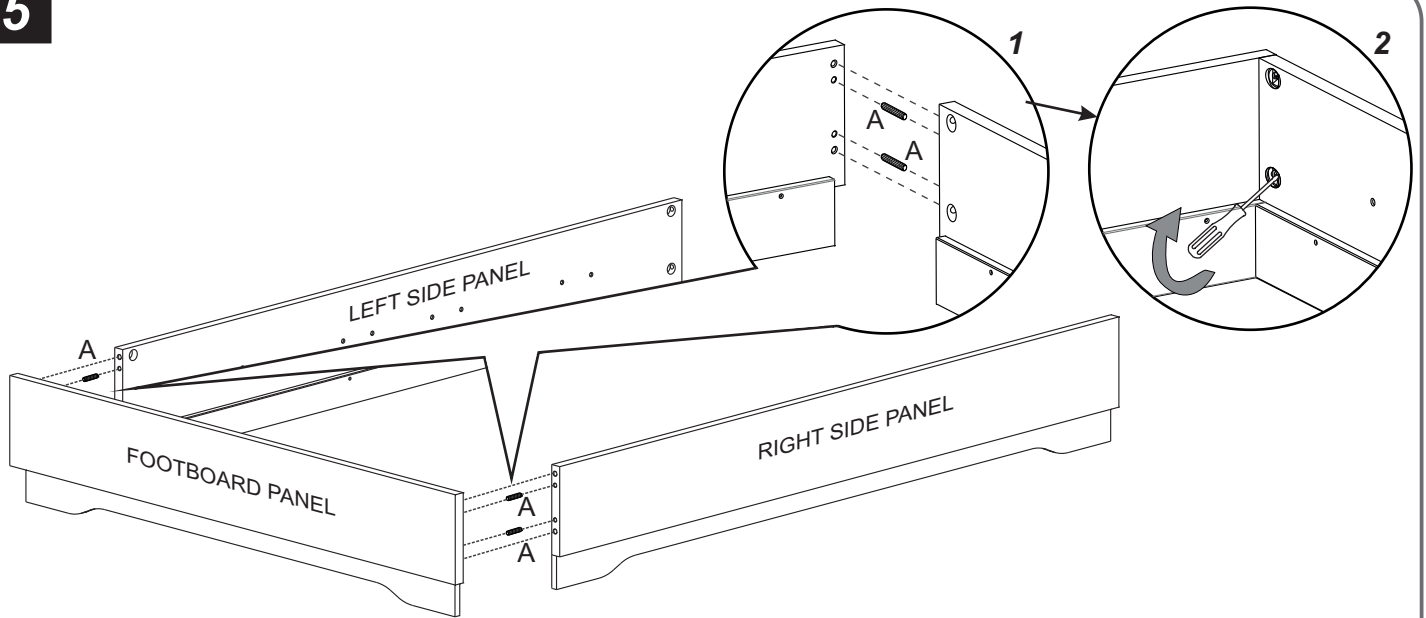


4c

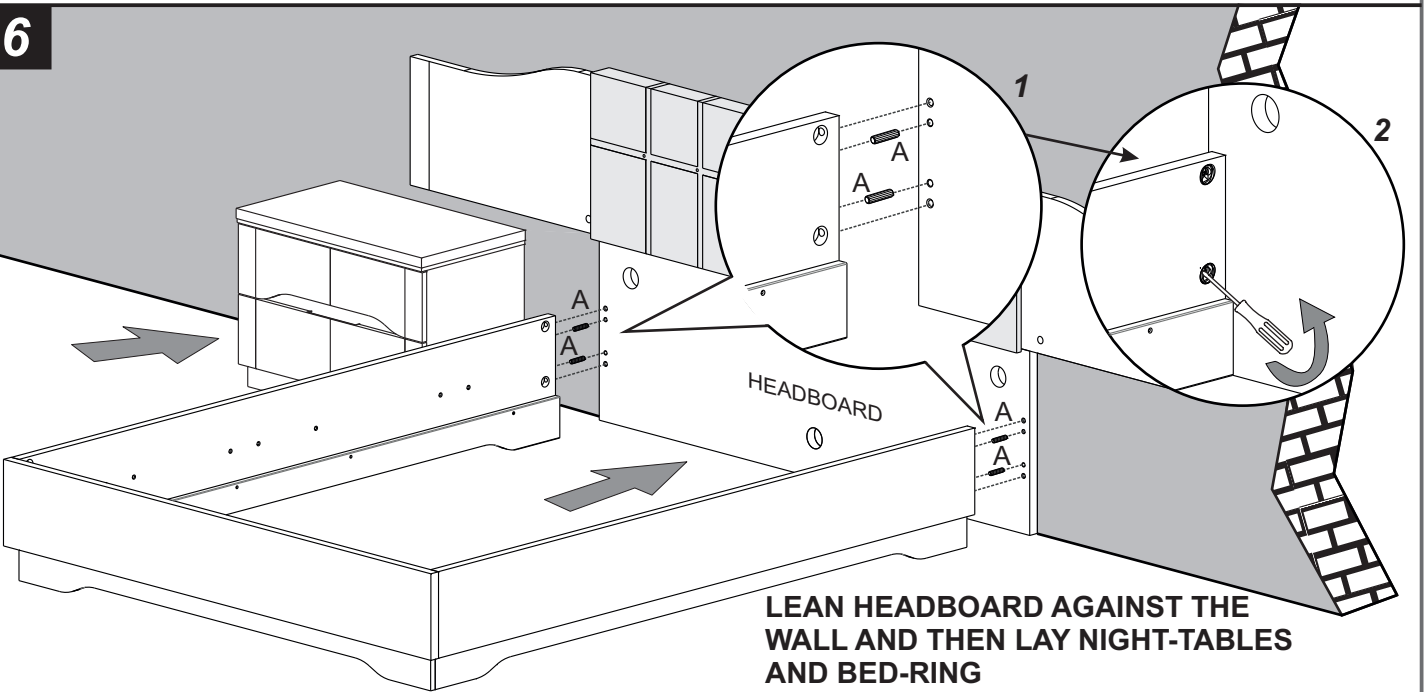
**LIGHT FITTINGS:
CONNECTING SYSTEM**



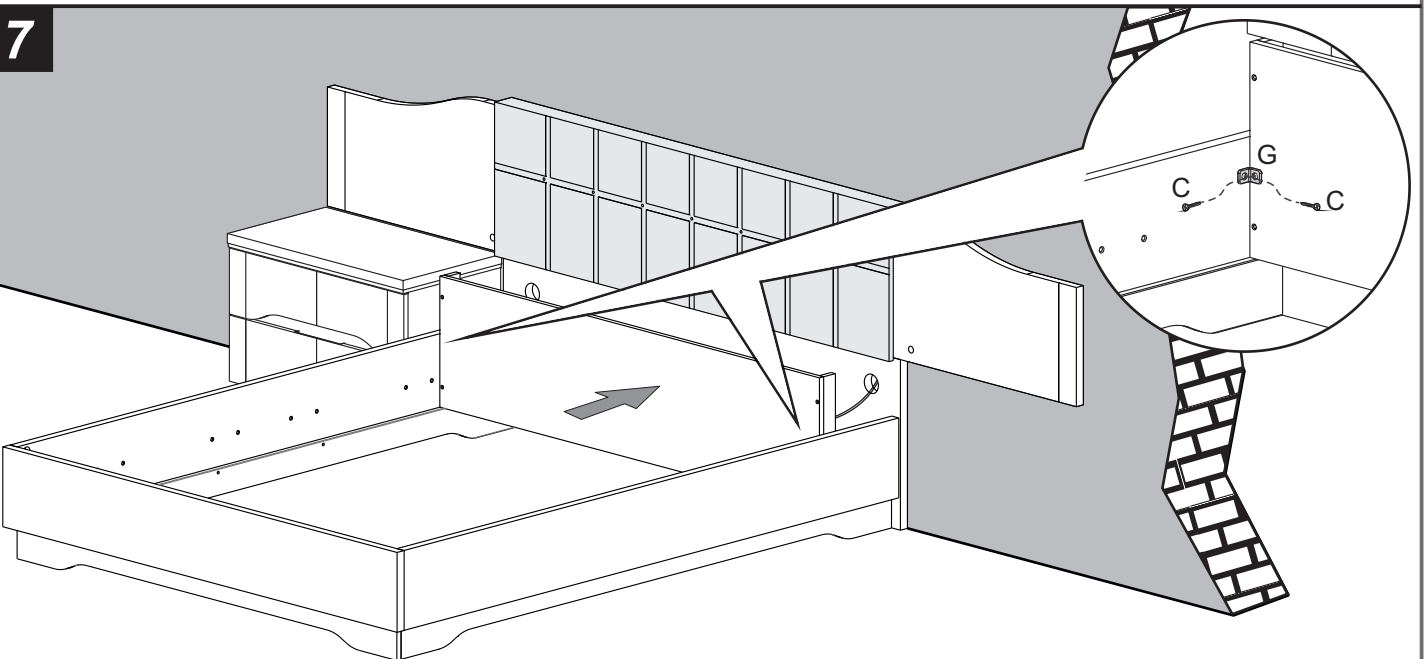
5



6


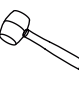

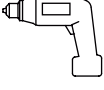
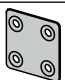
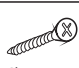
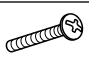



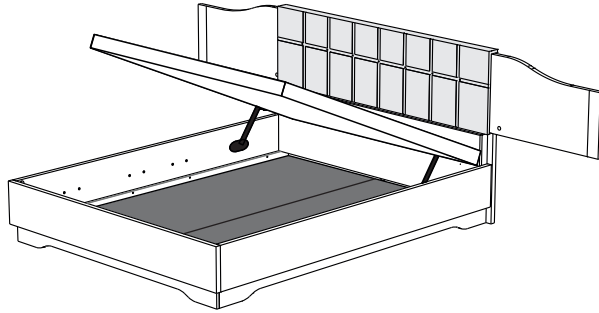
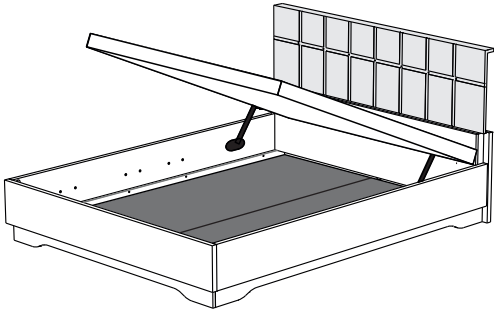
7



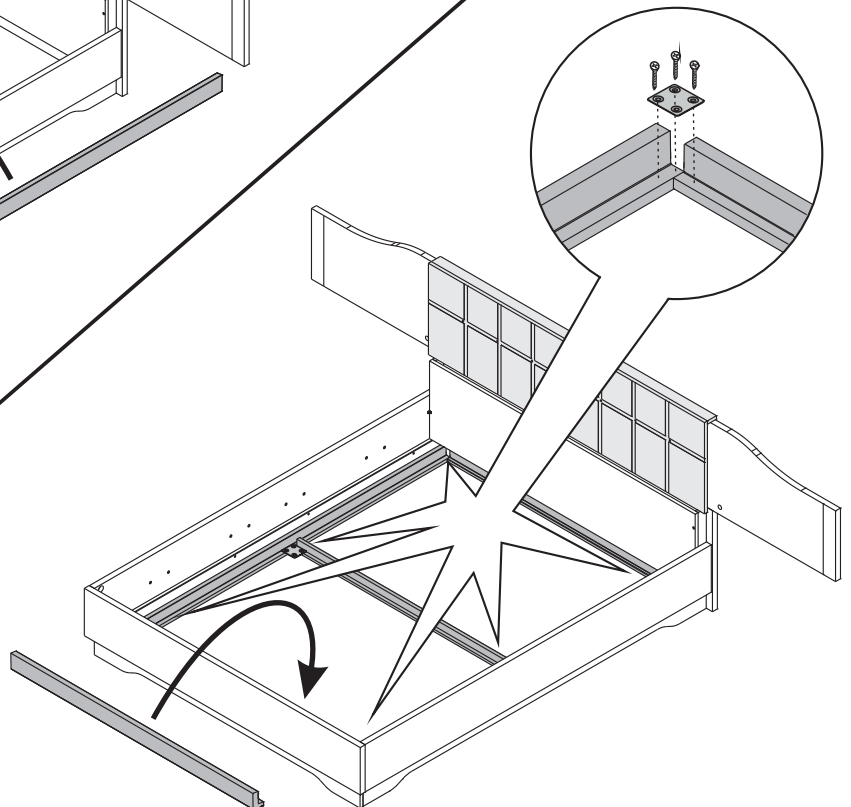
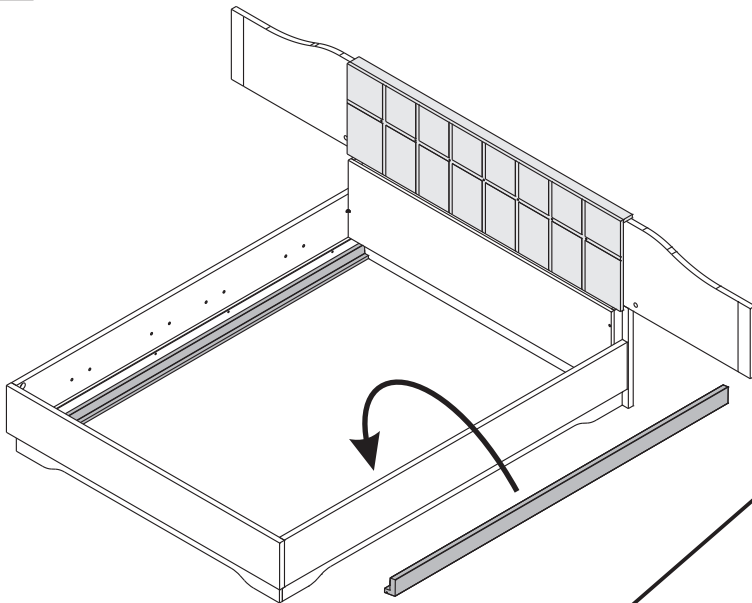
MATRIX

BED QS / 160 / 180 / KS
WITH STORAGE

			
A	B	C	D
			
	Ø3,5x18	TBL M6x30	TBL M6x15

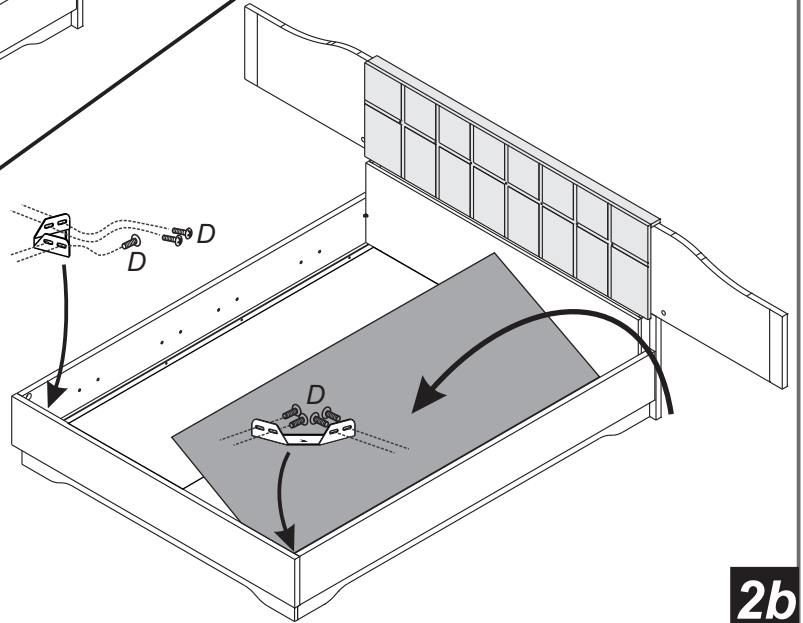
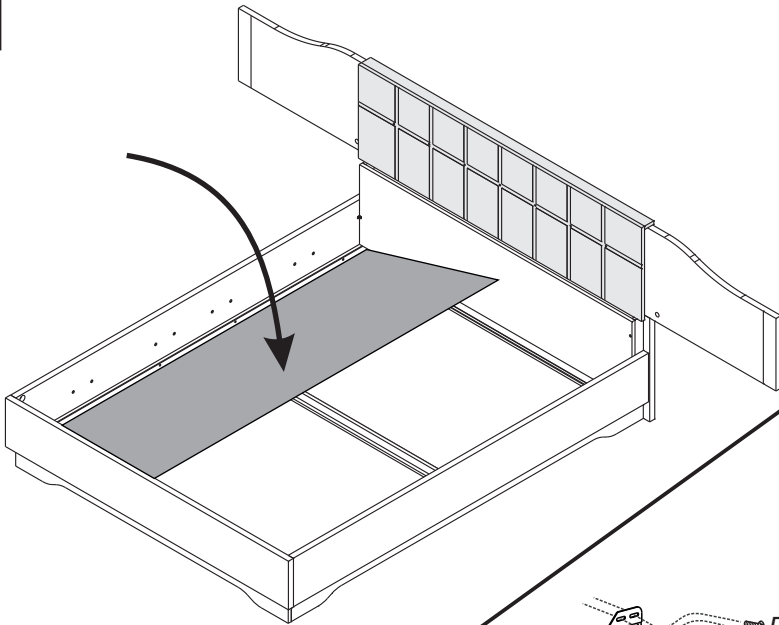


1a



1b

2a

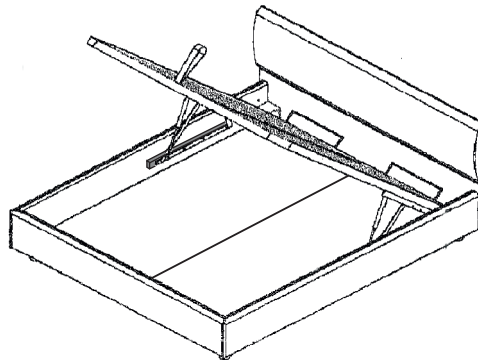
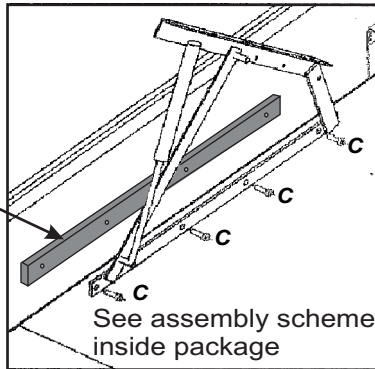


2b

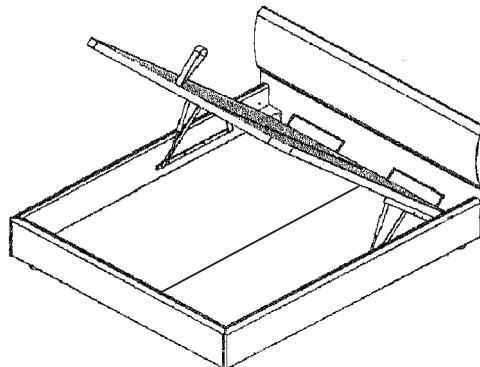
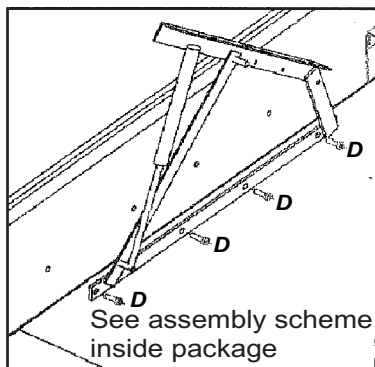
3

STORAGE 160 and 180 with distance bar

DISTANCE BAR

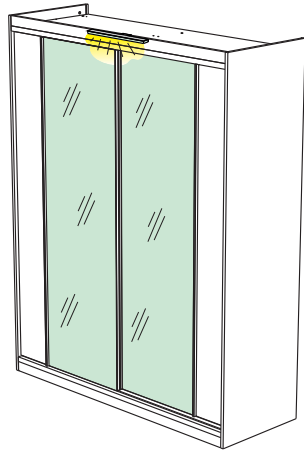


STORAGE QS and KS without distance bar



MATRIX

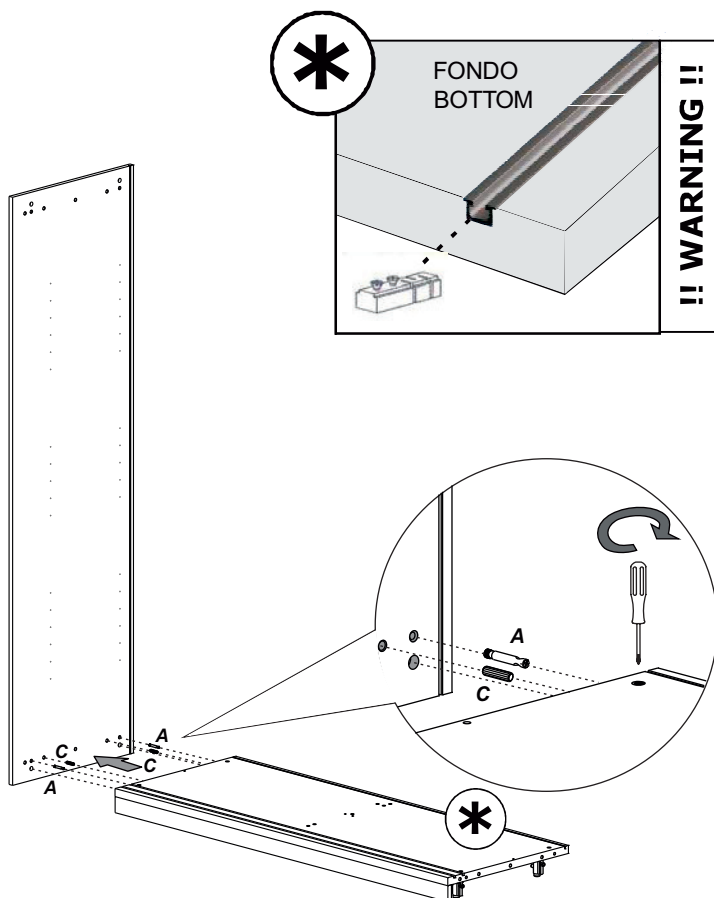
SLIDING DOOR WARDROBE



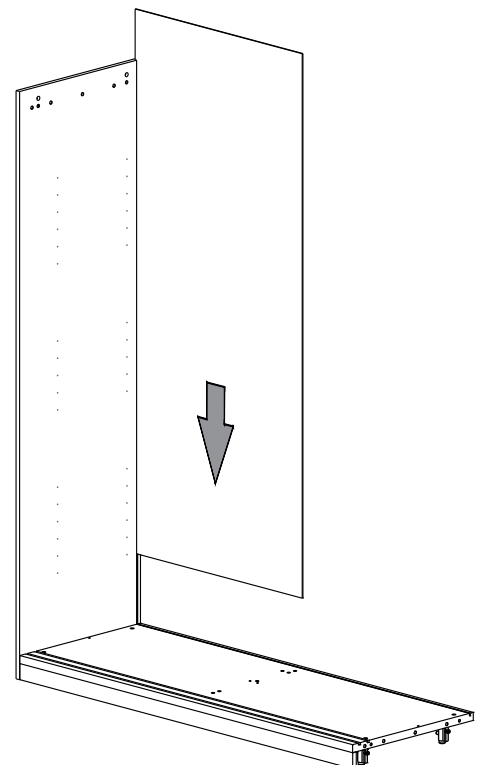
A	B	C	D
E	F	G	H
L	M		

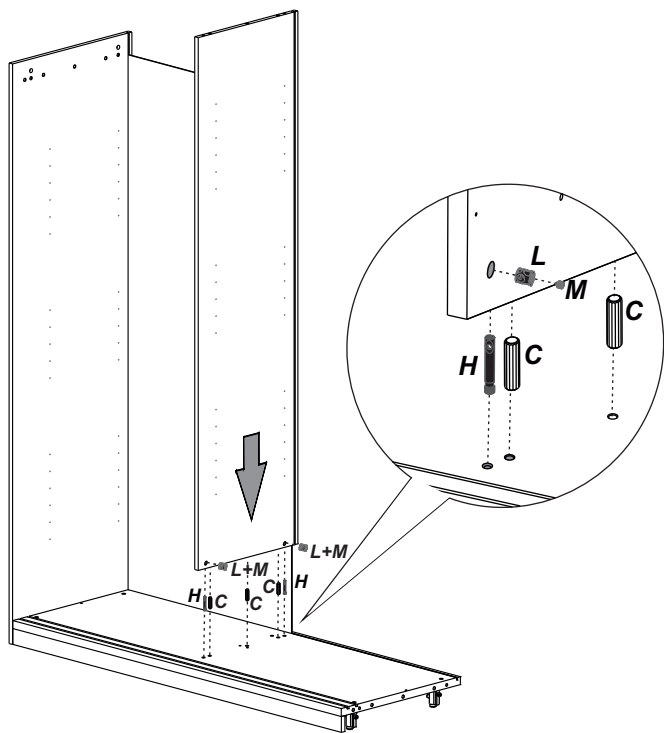
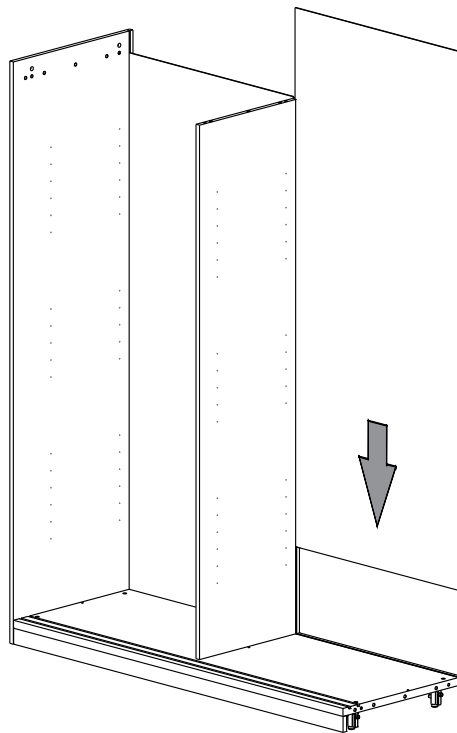
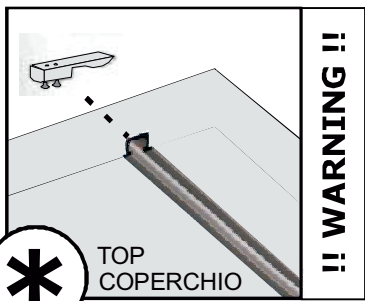
1

Montare fermaporte nel binario come in figura
 Fix the locks into the rail (upper and lower) as for drawing
 Монтировать черную фурнитуру для блокирования
 дверей в рейсы как по инструкции



2

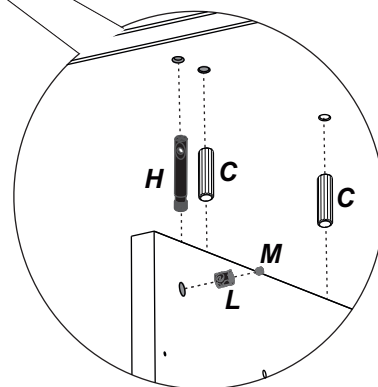
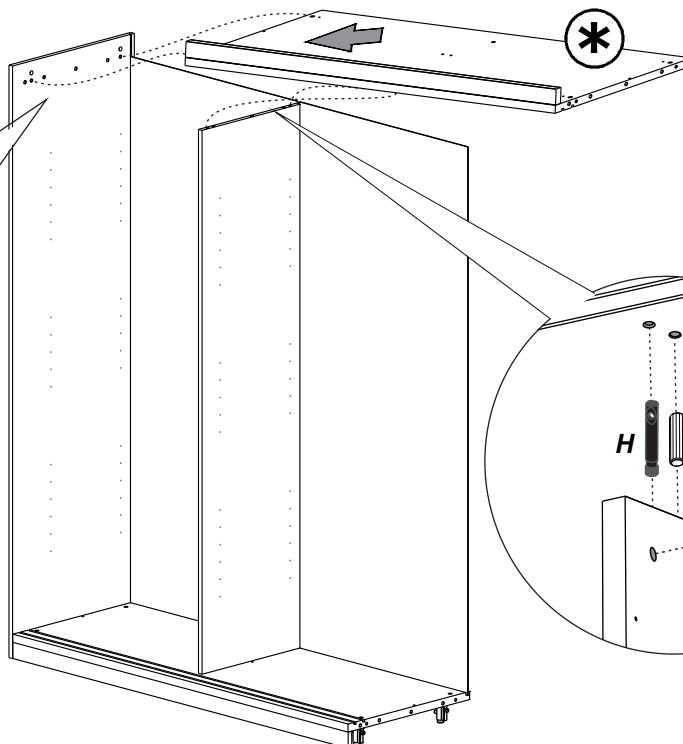
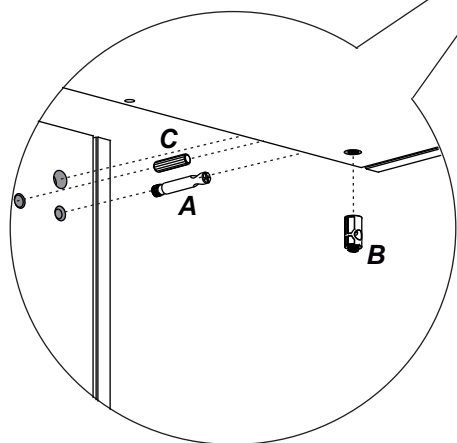


3**4****5****!! WARNING !!**

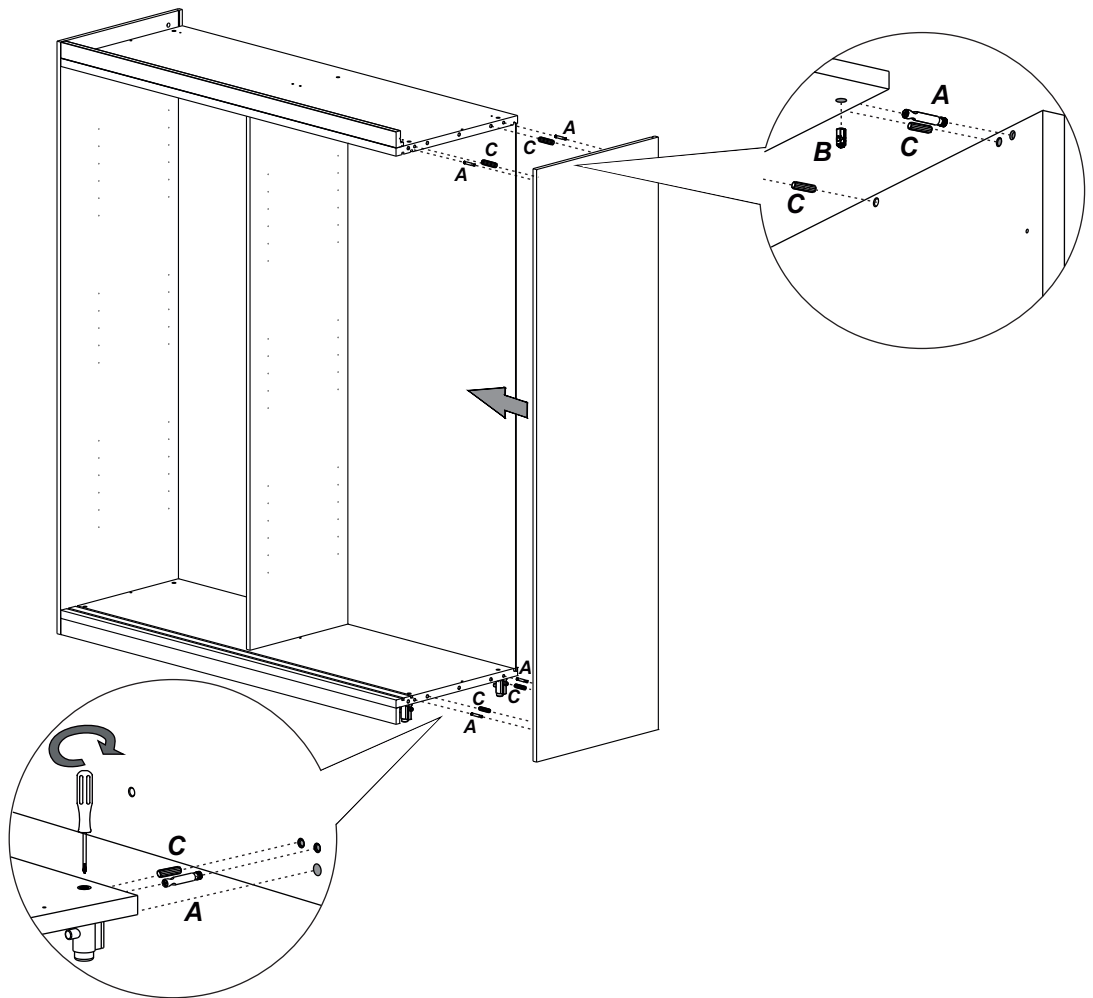
Montare fermaporte nel binario come in figura
 Fix the locks into the rail (upper and lower) as for drawing
 Монтировать черную фурнитуру для блокирования
 дверей в рейсы как по инструкции



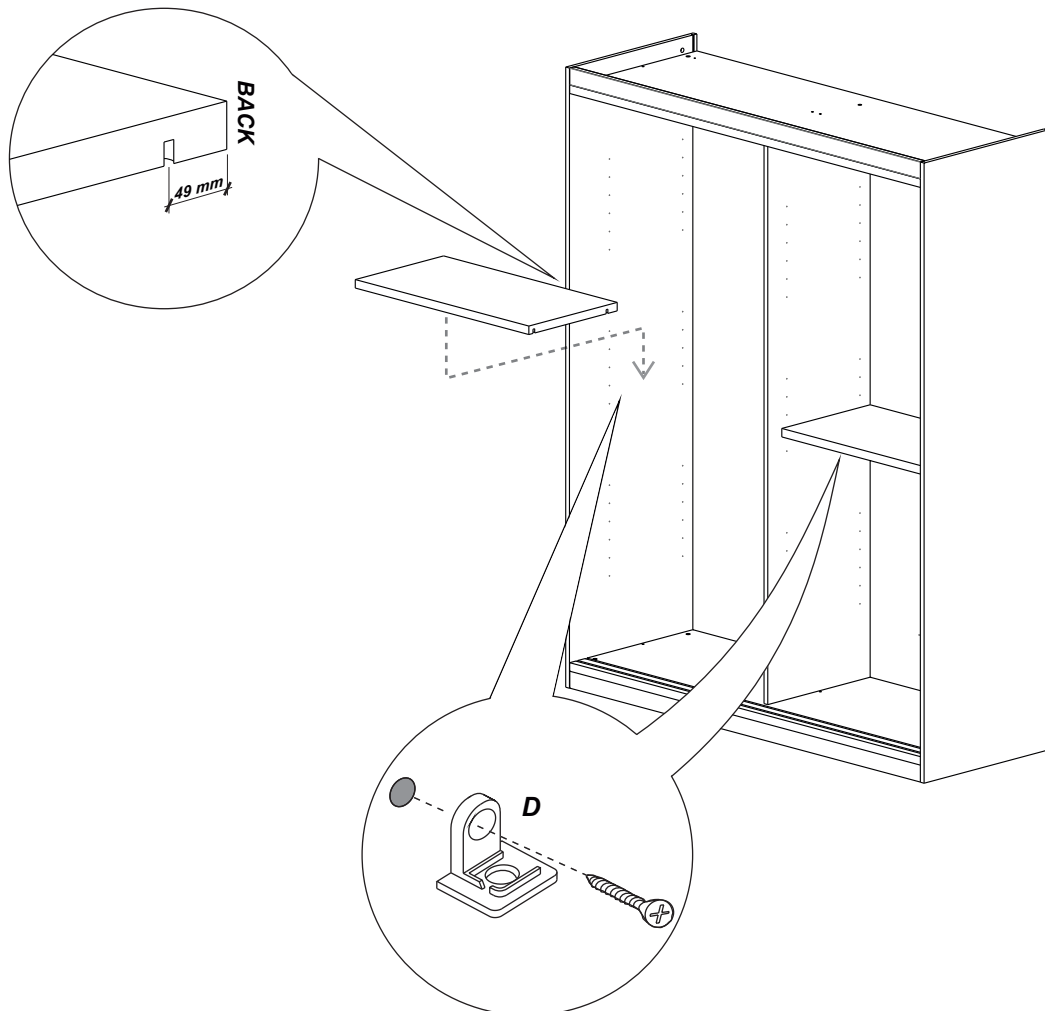
TOP COPERCHIO



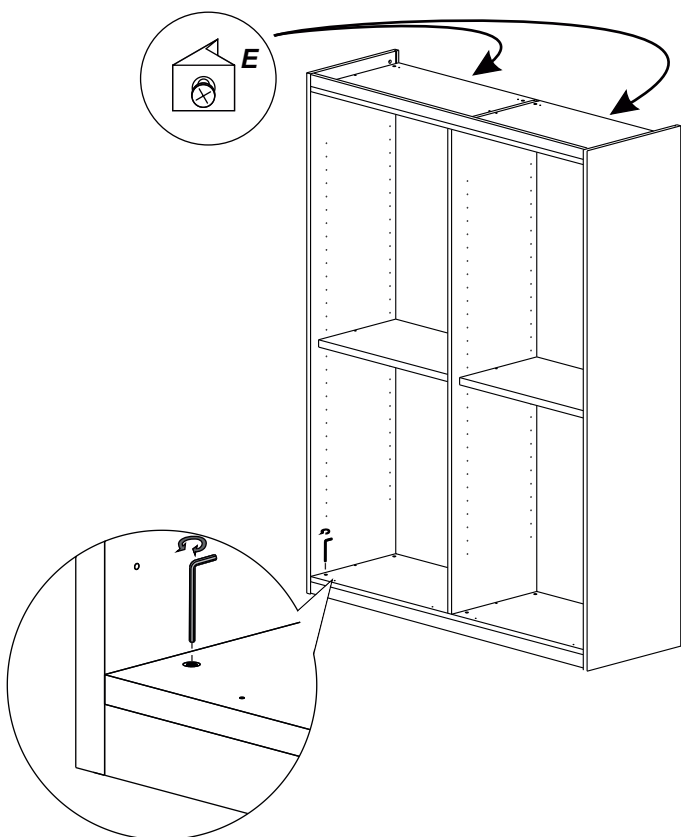
6



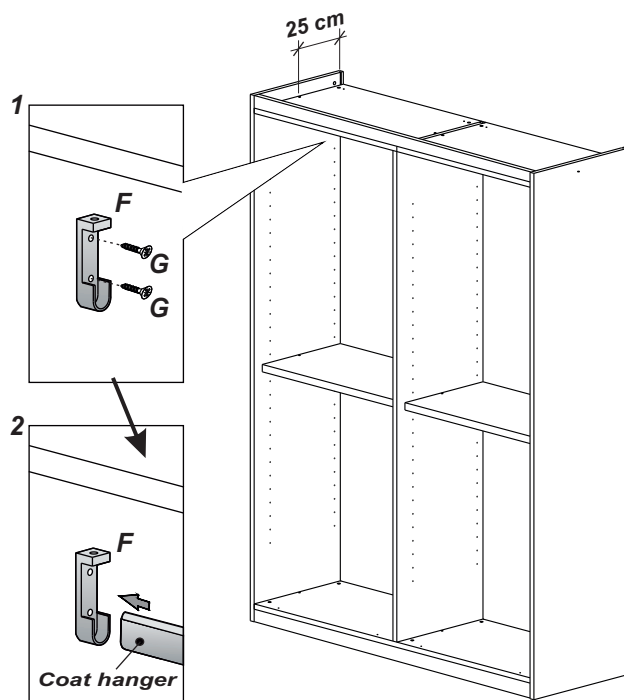
7



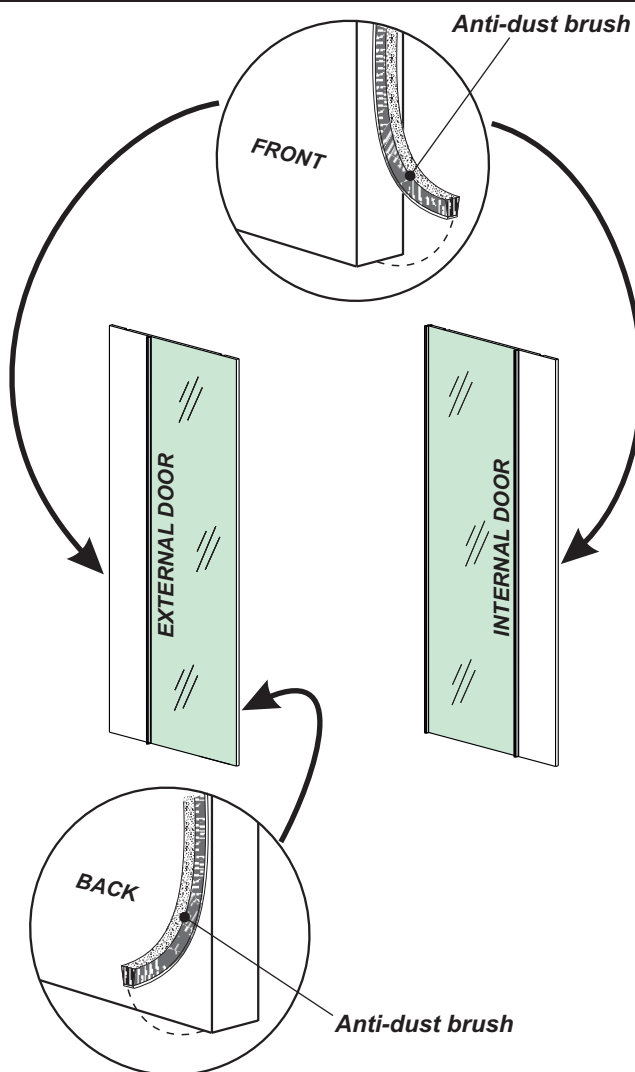
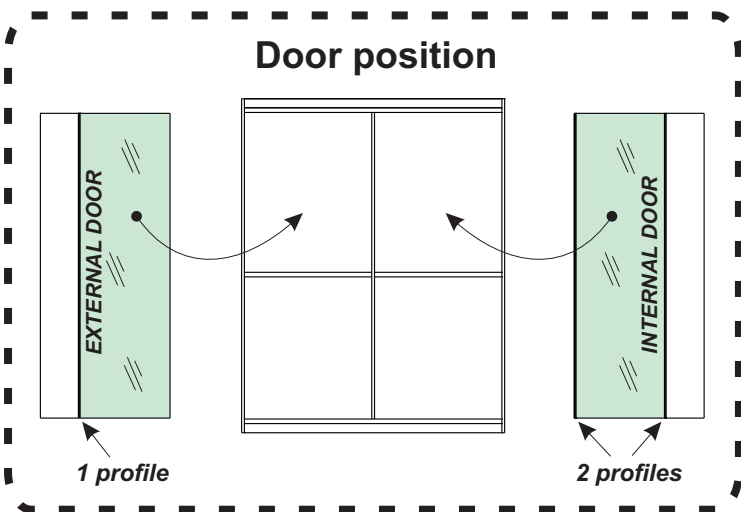
8



9

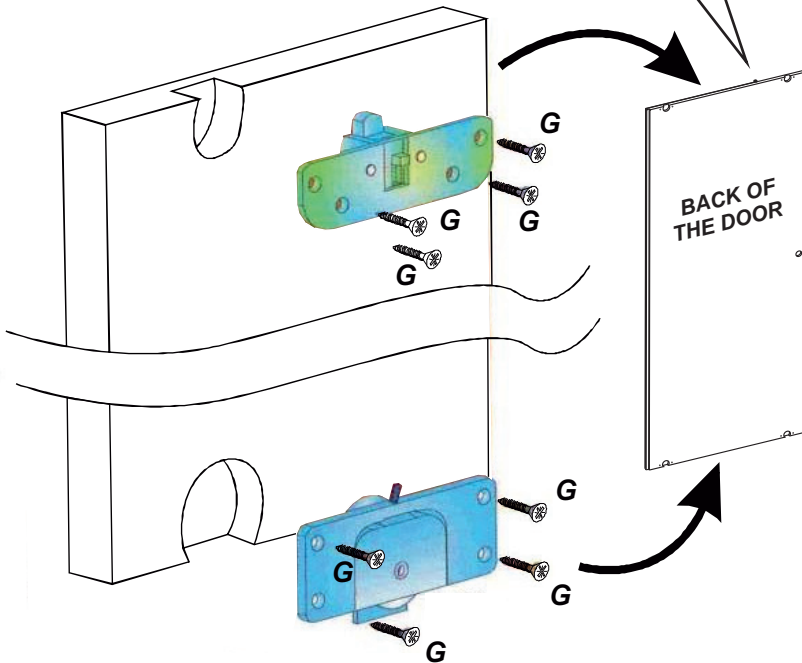
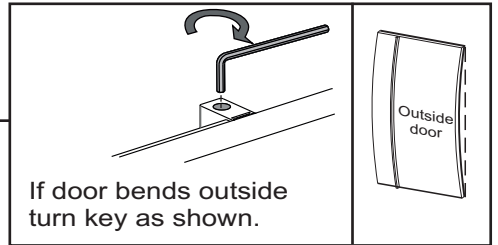
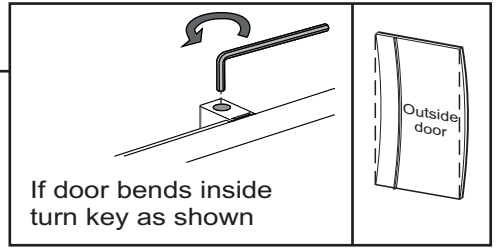
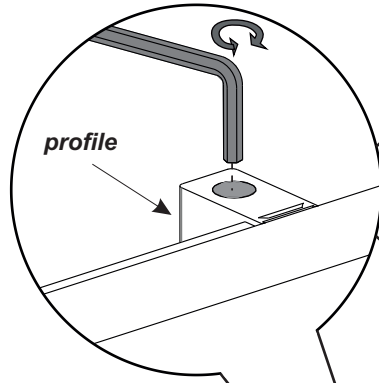


10a

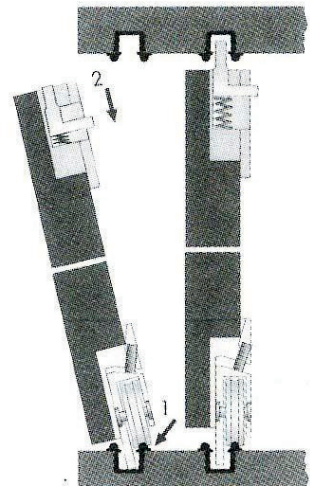


10b

Door regulation



DESCRIPTION OF HOW TO ATTACH THE DOORS



11 LED Lamp

