

CT992 Assembly Instruction



A=1pc
6mm



B=6pc
M8*45



C=6pc
25*8*2



D=4pc
M8*30



E=4pc
ø24*3*M8

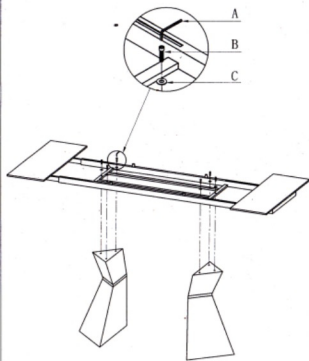


F=1pc
4mm

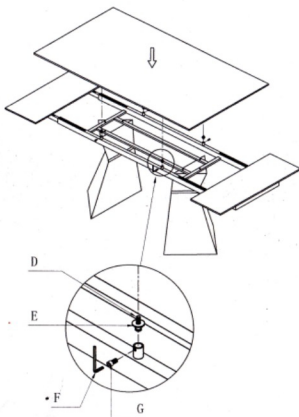


G=4pc
M6*10

STEP 1



STEP 2



FINISHED

