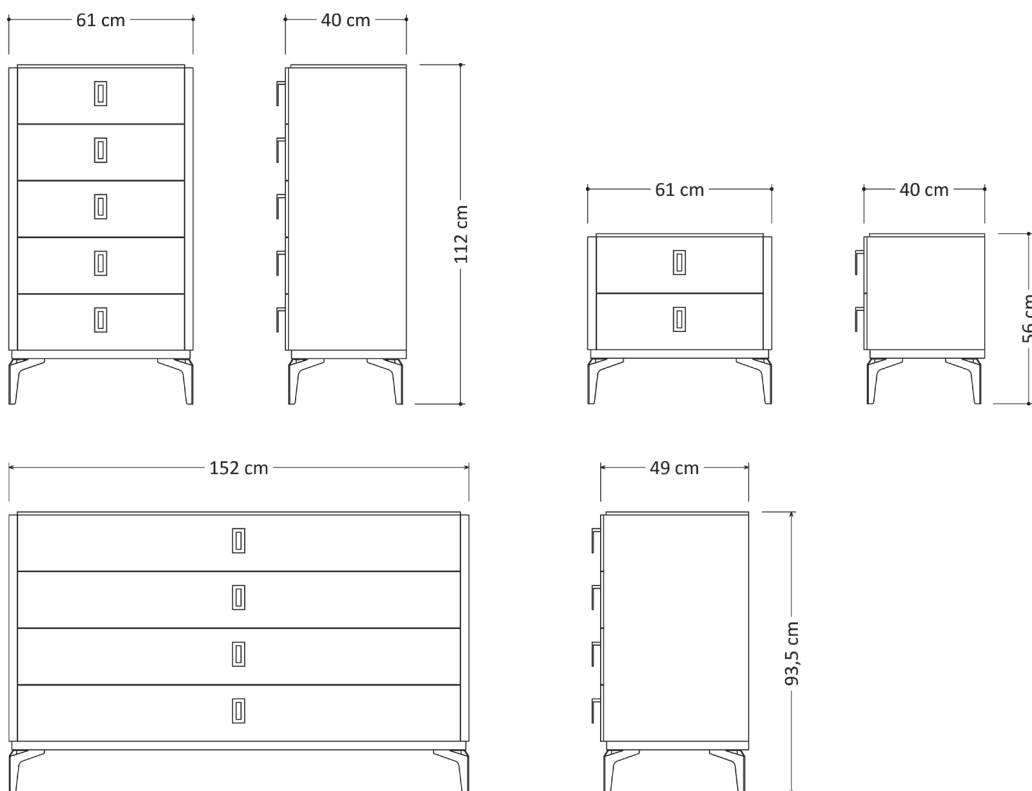


## NIGHT TABLE, DRESSER, CHEST OF DRAWERS

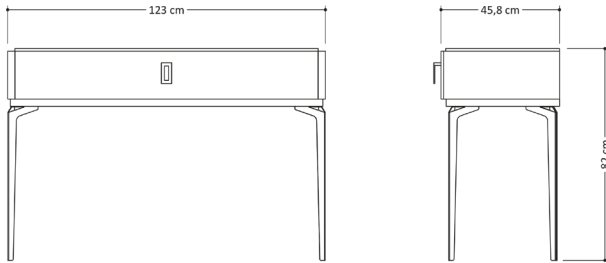


<b>Top</b>	28mm thick, engineered wood panel covered with low-pressure laminate (LPL) Walnut color finish, high gloss acrylic lacquer. 1mm thick, Aluminum edges, satin brass color
<b>Bottom</b>	28mm thick, engineered wood panel covered with low-pressure laminate (LPL) Walnut color finish. 1mm thick, Aluminum edges, satin brass color
<b>Side panels</b>	28mm thick, engineered wood panel covered with low-pressure laminate (LPL) Walnut color finish, high gloss acrylic lacquer. 1mm thick, ABS edges
<b>Back panel</b>	4 mm thick, double-sided laminated MDF
<b>Drawers</b>	<ul style="list-style-type: none"> <li>• Front: 18mm thick, engineered wood panel covered with low-pressure laminate (LPL) Walnut color finish, high gloss acrylic lacquer. 1mm thick, ABS edges</li> <li>• Inside: 12mm thick, engineered wood panel covered with low-pressure laminate (LPL) Textured finish. Folding system</li> <li>• Bottom: 4mm thick, double-sided laminated MDF</li> <li>• Metal sliding guides with soft motion and closing system</li> </ul>
<b>Handles</b>	Metal, satin brass color
<b>Feet</b>	Metal, satin brass color. H.150mm

### Cleaning:

- Please use a damp cloth and mild liquid detergent.
- Do not use abrasive sponges that can flatten the surfaces. Please use a soft cloth.
- Do not use powder detergent or abrasive products, bleach or highly chlorinated substances, acids and strong bases.

CONSOLE

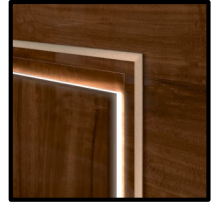
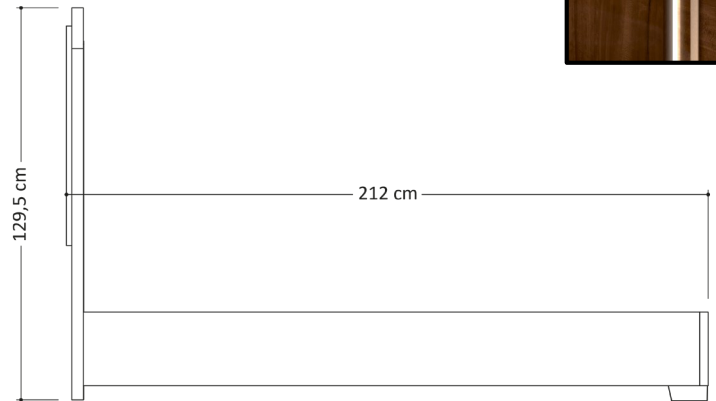
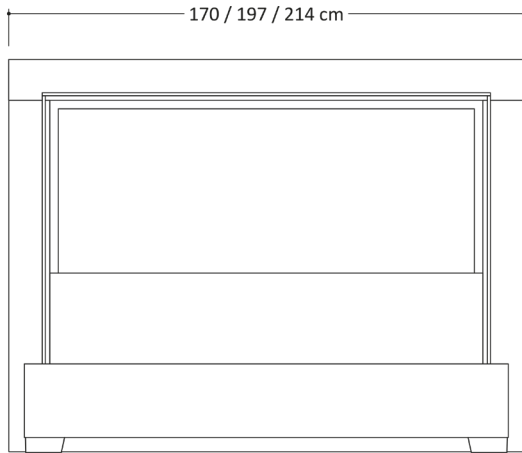


<b>Top</b>	28mm thick, engineered wood panel covered with low-pressure laminate (LPL) Walnut color finish, high gloss acrylic lacquer. 1mm thick, Aluminum edges, satin brass color
<b>Bottom</b>	28mm thick, engineered wood panel covered with low-pressure laminate (LPL) Walnut color finish. 1mm thick, Aluminum edges, satin brass color
<b>Side panels</b>	28mm thick, engineered wood panel covered with low-pressure laminate (LPL) Walnut color finish, high gloss acrylic lacquer. 1mm thick, ABS edges
<b>Back panel</b>	4 mm thick, double-sided laminated MDF
<b>Drawers</b>	<ul style="list-style-type: none"> <li>• Front: 18mm thick, engineered wood panel covered with low-pressure laminate (LPL) Walnut color finish, high gloss acrylic lacquer. 1mm thick, ABS edges</li> <li>• Inside: 12mm thick, engineered wood panel covered with low-pressure laminate (LPL) Textured finish. Folding system</li> <li>• Bottom: 4mm thick, double-sided laminated MDF</li> <li>• Metal sliding guides with soft motion and closing system</li> </ul>
<b>Handles</b>	Metal, satin brass color
<b>Feet</b>	Metal, satin brass color. H.600mm

**Cleaning:**

- *Please use a damp cloth and mild liquid detergent.*
- *Do not use abrasive sponges that can flatten the surfaces. Please use a soft cloth.*
- *Do not use powder detergent or abrasive products, bleach or highly chlorinated substances, acids and strong bases.*

BED QS/180/KS W/LIGHT

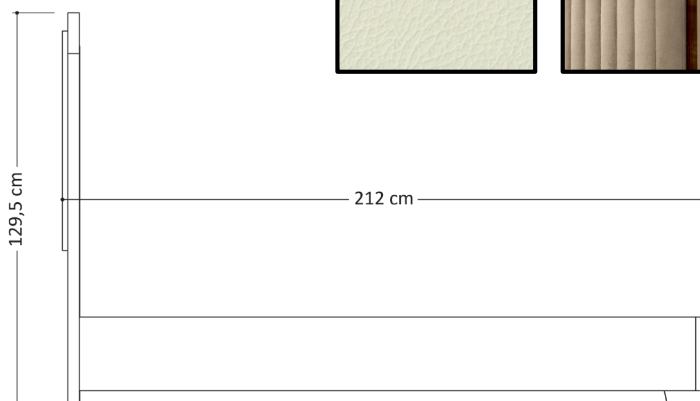
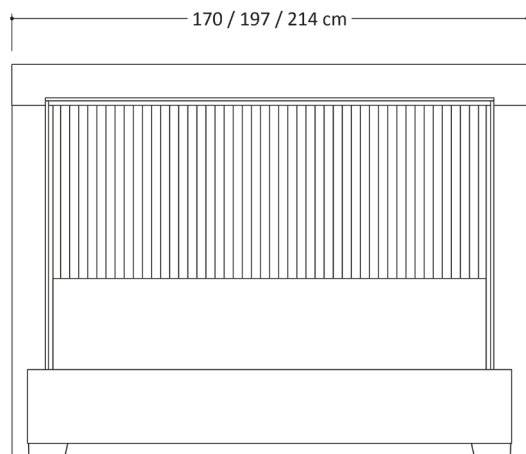


<b>Siderails/Footboard</b>	28mm thick, engineered wood panel covered with low-pressure laminate (LPL) Walnut color finish, high gloss acrylic lacquer. 1mm thick, ABS edges
<b>Headboard</b>	<ul style="list-style-type: none"> <li>• 18mm thick, engineered wood panel covered with low-pressure laminate (LPL) Walnut color, high gloss acrylic lacquer. 1mm thick, ABS edges</li> <li>• 38mm thick, engineered wood panel covered with low-pressure laminate (LPL) Walnut color, high gloss acrylic lacquer. 1mm thick, ABS edges</li> <li>• Aluminum stripe, satin brass color. H.1mm</li> </ul>
<b>Central Panel</b>	<ul style="list-style-type: none"> <li>• 18mm thick, engineered wood panel covered with low-pressure laminate (LPL) Walnut, high gloss acrylic lacquer. 1mm thick, ABS edges</li> <li>• LED Light system with ON/OFF touch sensor integrated in the panel</li> </ul>
<b>Feet</b>	Fiberglass ABS. Satin brass color. H. 50mm
<b>Led Lights</b>	Light color: White 4200K

**Cleaning:**

- *Please use a damp cloth and mild liquid detergent.*
- *Do not use abrasive sponges that can flatten the surfaces. Please use a soft cloth.*
- *Do not use powder detergent or abrasive products, bleach or highly chlorinated substances, acids and strong bases.*

**BED QS/180/KS UPHOLSTERED**

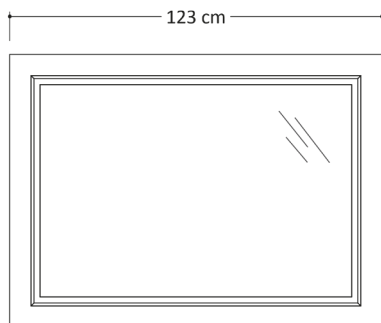


<b>Siderails/Footboard</b>	28mm thick, engineered wood panel covered with low-pressure laminate (LPL) Walnut color finish, high gloss acrylic lacquer. 1mm thick, ABS edges
<b>Headboard</b>	<ul style="list-style-type: none"> <li>• 18mm thick, engineered wood panel covered with low-pressure laminate (LPL) Walnut color, high gloss acrylic lacquer. 1mm thick, ABS edges</li> <li>• 38mm thick, engineered wood panel covered with low-pressure laminate (LPL) Walnut color, high gloss acrylic lacquer. 1mm thick, ABS edges</li> <li>• Aluminum stripe, satin brass color. H.1mm</li> </ul>
<b>Central Panel</b>	35mm thick, Fire resistant fluted velvet upholstered headboard. Color: Beige Velvet
<b>Feet</b>	Fiberglass ABS. Satin brass color. H. 50mm

**Cleaning:**

- *Please use a damp cloth and mild liquid detergent.*
- *Do not use abrasive sponges that can flatten the surfaces. Please use a soft cloth.*
- *Do not use powder detergent or abrasive products, bleach or highly chlorinated substances, acids and strong bases.*

MIRROR

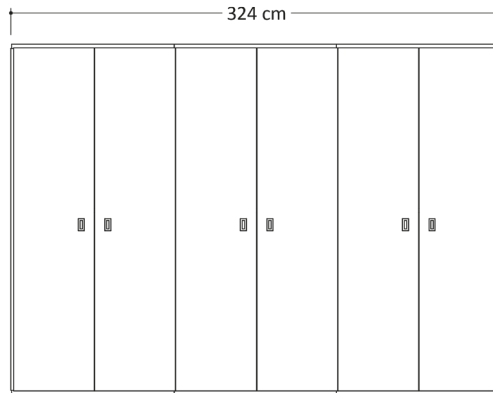
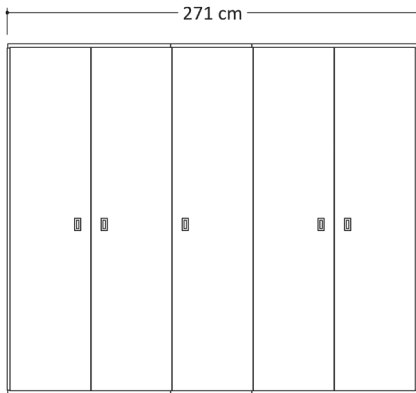
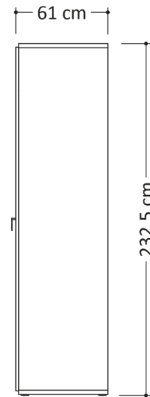
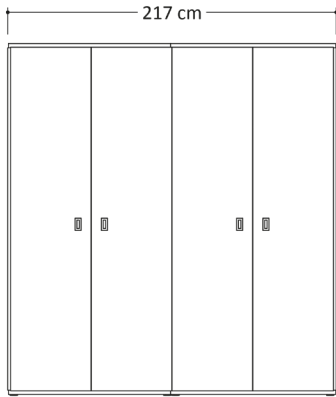


<b>Panel</b>	<ul style="list-style-type: none"><li>• 18mm thick, engineered wood panel covered with low-pressure laminate (LPL) Walnut color finish.</li><li>• 1mm thick, ABS edges</li><li>• Aluminum stripe, satin brass color. H. 1mm</li></ul>
<b>Mirror</b>	3mm thick

**Cleaning:**

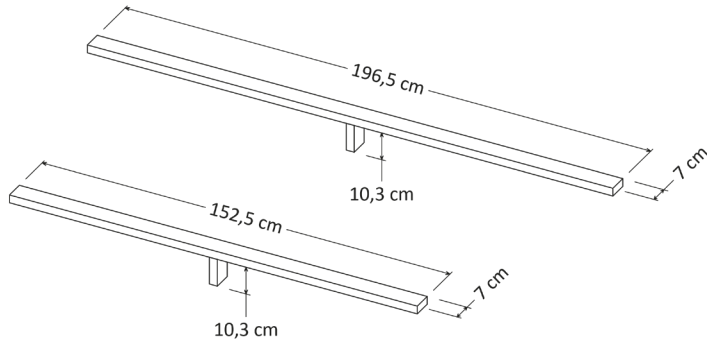
- *Please use a damp cloth and mild liquid detergent.*
- *Do not use abrasive sponges that can flatten the surfaces. Please use a soft cloth.*
- *Do not use powder detergent or abrasive products, bleach or highly chlorinated substances, acids and strong bases.*

WARDROBES



<b>Top</b>	28mm thick, engineered wood panel covered with low-pressure laminate (LPL) Walnut color finish. 1mm thick, Aluminum edges, satin brass color
<b>Bottom</b>	28mm thick, engineered wood panel covered with low-pressure laminate (LPL) Walnut color finish. 1mm thick, Aluminum edges, satin brass color
<b>Sides Panels</b>	28mm thick, engineered wood panel covered with low-pressure laminate (LPL) Walnut color finish, high gloss acrylic lacquer. 1mm thick, ABS edges
<b>Divisions</b>	22mm thick, engineered wood panel covered with low-pressure laminate (LPL) Walnut color finish. 1mm thick, ABS edges
<b>Shelves</b>	28mm thick, engineered wood panel covered with low-pressure laminate (LPL) Walnut color finish. 1mm thick, ABS edges
<b>Doors</b>	18mm thick, engineered wood panel covered with low-pressure laminate (LPL) Walnut color finish, high gloss acrylic lacquer. 1mm thick, ABS edges
<b>Mirror for doors</b>	3mm thick
<b>Back Panel</b>	4mm thick, double-sided laminated MDF
<b>Handles</b>	Metal, satin brass color
<b>Hinges</b>	Metal, soft closing mechanism. Metal screw covers
<b>Feet</b>	Hi-Tech hidden feet, adjustable from inside of the wardrobe

BED CROSSBARS (Optional)



**Material**

30mm thick, raw spruce wood

Our furniture is made in compliance with the following regulations:

## **UNI EN 14749**

The standard specifies the safety requirements and test methods for the structures of all types of domestic, kitchen and bathroom storage furniture and their components.

## **ASTM F2057-19**

### **Standard Safety Specification for Clothing Storage Units**

This safety specification is intended to reduce injuries and deaths of children from hazards associated with tip over of clothing storage units, it covers chests, drawer chests, chests of drawers, dressers, and bureaus only.

The procedures for stability testing of the drawer are presented in details. During the test, the unit shall not tip over or be supported only by an opened drawer, opened door, or opened or unopened flap.

### **WARNING**



**Children have died from furniture tipover. To reduce the risk of furniture tipover:**

- ALWAYS install tipover restraint provided.
- NEVER put a TV on this product.
- NEVER allow children to stand, climb or hang on drawers, doors, or shelves.
- NEVER open more than one drawer at a time.
- Place heaviest items in the lowest drawers.



This is a permanent label.  
Do not remove!