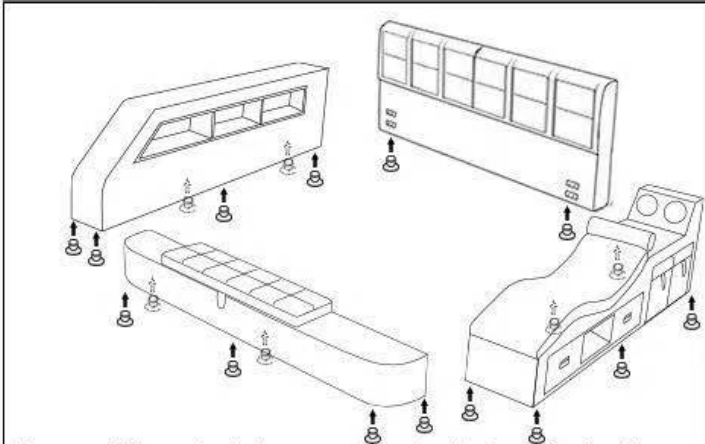


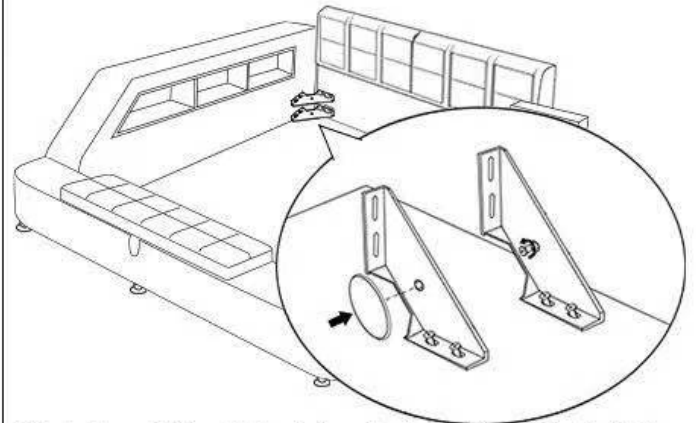
Installation diagram (Bed NO:685)

STEP1



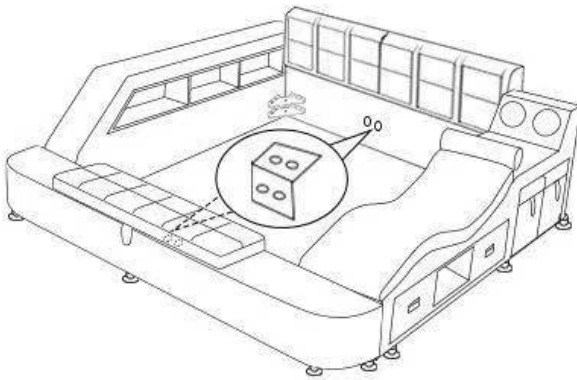
Please put the main 4 pieces as shown in photo.put the bed legs on to the bedhead and bedside.

STEP2



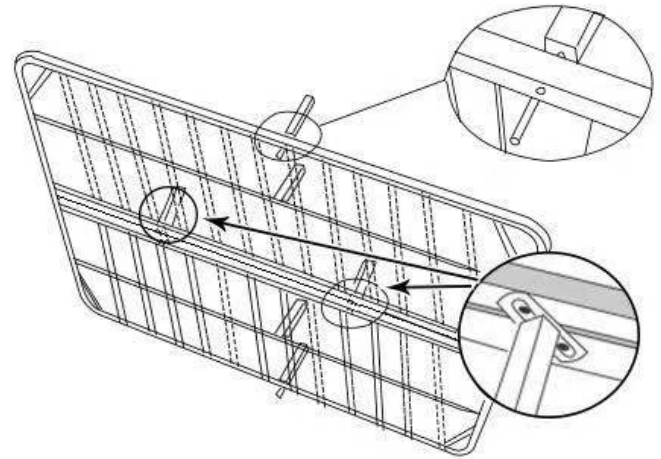
Attach those 8 triangle brackets onto the 2 sides of the bed.Please keep the bolts and nuts loose and do not tight up at this stage.

STEP3

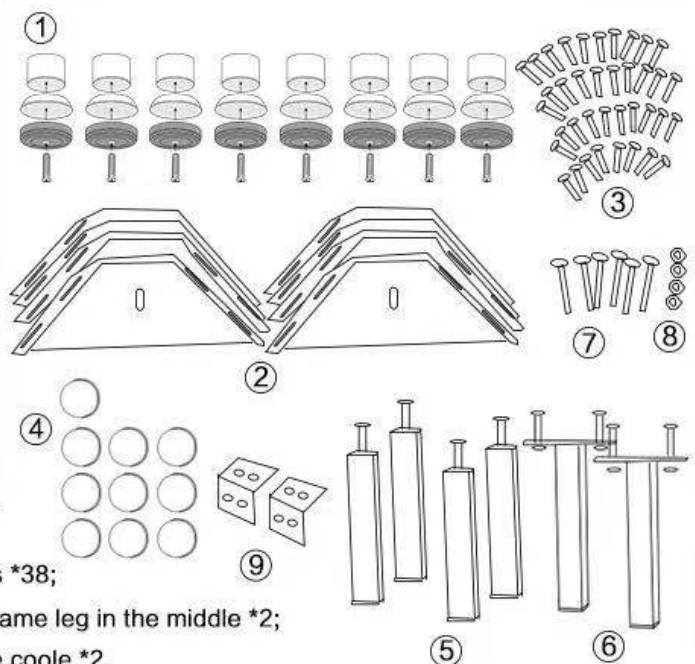


Connect the 4 pieces of the bed frame. The tips is that do not tight up the connection before all the bolts and nuts can find its position. Tight up the bolts and nuts after all the bolts in its right position.

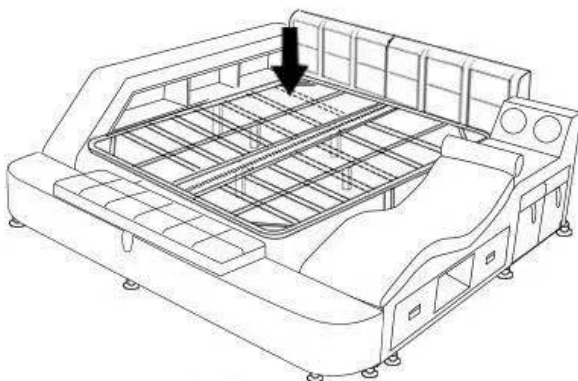
STEP4



Parts list



STEP5



Put the slats frame into the bed frame. Done!

PS:

- ① Bed leg *8; ② Triangle Bracket *8; ③ Bolts for the brackets *38;
- ④ Soft Pads *10; ⑤ Slats frame leg on the side *4; ⑥ Slats frame leg in the middle *2;
- ⑦ Bolts for the slats frame legs *6; ⑧ Nuts *4; ⑨ Right angle coole *2.